

## DC-Application / Traction Fuse



Classes: aR/gR/gRL

Voltage ratings: DC 440 V to DC 4200 V

Current ratings: 6 A to 1000 A

Standards: UIC 550  
IEC 60269-4  
IEC 60077-5  
VDE 0636-40

SIBA-DC-Fuses are available for clip-mounted and bolt-design. The fuses are used for traction-, battery-, and railway-power-circuit applications.

Due to the variety of applications please contact SIBA for information regarding use at different voltage ratings, classes or L/R's.

### Features / Benefits

- ▶ Designed for heavy duty applications
- ▶ Shock and vibration tested to 30 g
- ▶ Several types with additional microswitches
- ▶ Developed according to customers specifications
- ▶ Tested with different time constants
- ▶ Designed for long life under severe service conditions

## Selection Guide Fuse-Links

Size	Rated Voltage DC	Part No.	Part No.	Part No.	Selector Guide Page	Technical Data Page
14 x 51	440 V	50 124 34	50 126 34	50 129 34	4	5
14 x 51	700 V	50 118 06			10	11
14 x 51	700 V	50 201 06			12	13
22 x 58	440 V	50 140 34	50 142 34		6	7
27 x 60	660 V	50 190 06	50 191 06		8	9
10 x 38	900 V	50 215 06	50 216 06	50 217 06	14	15
20 x 127	1000 V	90 080 10	90 082 10		36	37
20 x 127	1500 V	90 081 10			44	45
36 x 190	1500 V	90 094 10	90 095 10		46	47
40 x 254	3000 V	90 100 10			60	61
000	700 V	20 581 21	20 582 21	20 583 21	68	69
000 DIN 80	700 V	20 292 20	20 292 21		66	67
NH1	750 V	20 556 04			70	71
NH3	AC 1000 V	20 407 04			62	63
NH3	AC 2000 V	20 404 04			64	65
NH4	1000 V	90 083 10			38	39
SQB-DC90	900 V	90 300 20	90 300 21		16	17
SQB-DC90	900 V	90 350 20	90 350 21		18	19
SQB-DC91	900 V	90 310 20	90 310 21		20	21
SQB-DC91	900 V	90 360 20	90 360 21		22	23
SQB-DC92	900 V	90 320 20	90 320 21		24	25
SQB-DC92	900 V	90 370 20	90 370 21		26	27
SQB-DC92-2	900 V		90 378 21		28	29
SQB-DC93	900 V	90 330 20	90 330 21		30	31
SQB-DC93	900 V	90 380 20	90 380 21		32	33
SQB-DC93-2	900 V		90 388 21		34	35
SQB-DC0	1200 V	90 223 25	90 223 26		40	41
SQB-DC0	2000 V	90 222 25	90 222 26		48	49
SQB-DC0	2400 V	90 221 25	90 221 26		52	53
SQB-DC0	4200 V	90 220 25	90 220 26		56	57
SQB-DC2	1200 V	90 203 25	90 203 26		42	43
SQB-DC2	2000 V	90 202 25	90 202 26		50	51
SQB-DC2	2400 V	90 201 25	90 201 26		54	55
SQB-DC2	4200 V	90 200 25	90 200 26		58	59
UIC 552 VE	AC 1000 V	90 060 10			75	-
UIC 552 VE	AC 1500 V	90 062 10			75	-
UIC 552 VE	3000 V	90 061 10			75	-
UIC 552 VE	AC 1000 V	90 035 06			72	-
UIC 552 VE	AC 1000 V	90 037 06			72	-
UIC 552 VE	AC 1000 V	90 039 06			72	-
UIC 552 VE	AC 1000 V	90 057 06			72	-
UIC 552 VE	AC 1000 V	90 087 06			72	-
UIC 552 VE	1500 V	90 039 06			73	-
UIC 552 VE	1500 V	90 040 06			73	-
UIC 552 VE	3000 V	90 034 06			74	-
UIC 552 VE	3000 V	90 042 06			74	-
UIC 552 VE	3000 V	90 057 06			74	-
UIC 552 VE	3000 V	90 070 06			74	-



**DC-Application / Traction Fuse**

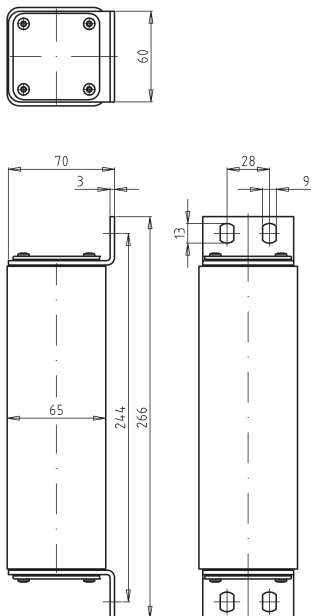
Size <b>SQB-DC2</b>	Rated Voltage <b>DC 1800 V</b>	Breaking Test Voltage <b>DC 2400 V</b>	Class <b>aR</b>	Standard <b>IEC 60 077-5 / UIC 550</b>
------------------------	-----------------------------------	---	--------------------	---

Rated Current [A]	Part No. without MS-Adapter	Part No. with MS-Adapter*	Weight [kg/1]	Pack
100	90 201 25.100	90 201 26.100	3.54	1
125	90 201 25.125	90 201 26.125	3.54	1
160	90 201 25.160	90 201 26.160	3.54	1
200	90 201 25.200	90 201 26.200	3.54	1
250	90 201 25.250	90 201 26.250	3.54	1
315	90 201 25.315	90 201 26.315	3.54	1

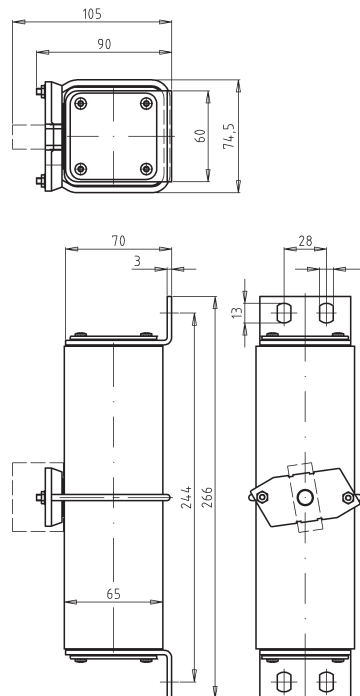
\*) suitable for B-switch fitting

**Dimensions**

Part No. 90 201 25. ...



Part No. 90 201 26. ...\*





**DC-Application / Traction Fuse**

Size  
**SQB-DC0**

Rated Voltage  
**DC 1700 V**

Breaking Test Voltage  
**DC 2000 V**

Class  
**aR**

Standard  
**IEC 60 077-5 / UIC 550**

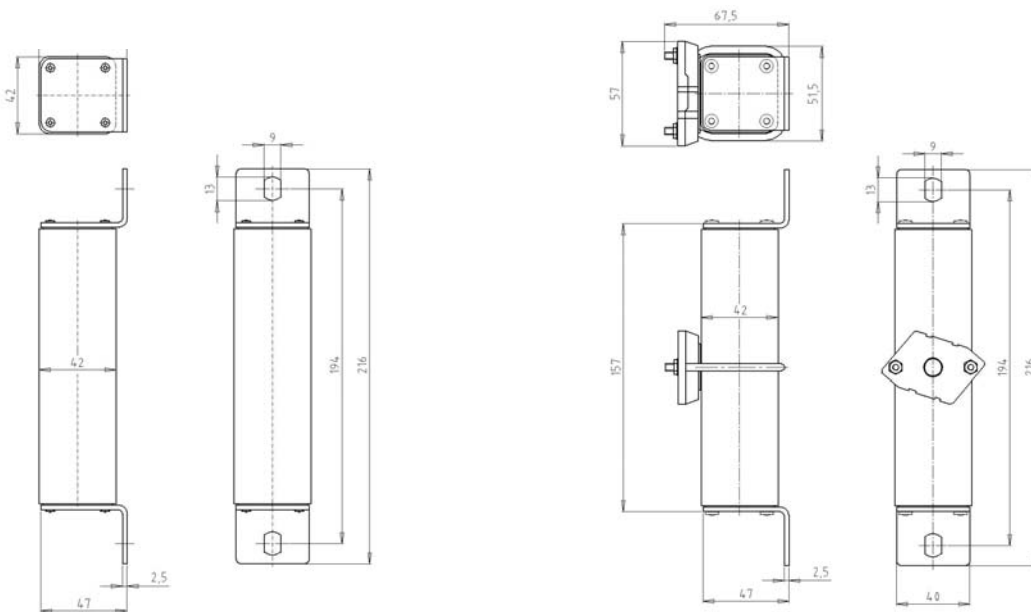
Rated Current [A]	Part No. without MS-Adapter	Part No. with MS-Adapter*	Weight [kg/1]	Pack
25	90 222 25.25	90 222 26.25	2.0	1
32	90 222 25.32	90 222 26.32	2.0	1
40	90 222 25.40	90 222 26.40	2.0	1
50	90 222 25.50	90 222 26.50	2.0	1
63	90 222 25.63	90 222 26.63	2.0	1
80	90 222 25.80	90 222 26.80	2.0	1
100	90 222 25.100	90 222 26.100	2.0	1
125	90 222 25.125	90 222 26.125	2.0	1
150	90 222 25.150	90 222 26.150	2.0	1

\*) suitable for B-switch fitting

**Dimensions**

Part No. 90 222 25. ...

Part No. 90 222 26. ...\*





## DC-Application / Traction Fuse

Size  
**20 x 127 mm**

Rated Voltage  
**DC 1000 V**

Class  
**gR / aR**

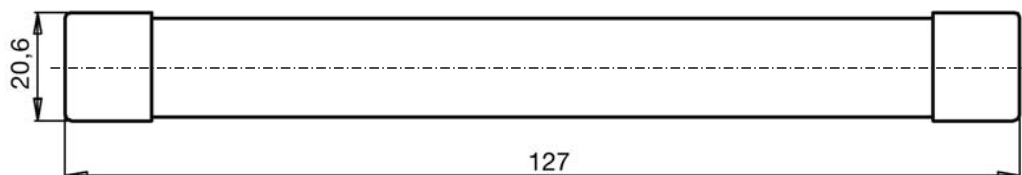
Standard  
**IEC 60269-4**

Rated Current [A]	Part No. with Indicator	Part No. with Striker	Weight [kg/1]	Pack
3.15	90 080 10.3.15*	90 082 10.3.15*	0.1	12
6	90 080 10.6	90 082 10.6	0.1	12
8	90 080 10.8	90 082 10.8	0.1	12
10	90 080 10.10	90 082 10.10	0.1	12
12	90 080 10.12	90 082 10.12	0.1	12
16	90 080 10.16	90 082 10.16	0.1	12
20	90 080 10.20	90 082 10.20	0.1	12
25	90 080 10.25	90 082 10.25	0.1	12
32	90 080 10.32	90 082 10.32	0.1	12
40	90 080 10.40	90 082 10.40	0.1	12
50	90 080 10.50	90 082 10.50	0.1	12
63	90 080 10.63	90 082 10.63	0.1	12

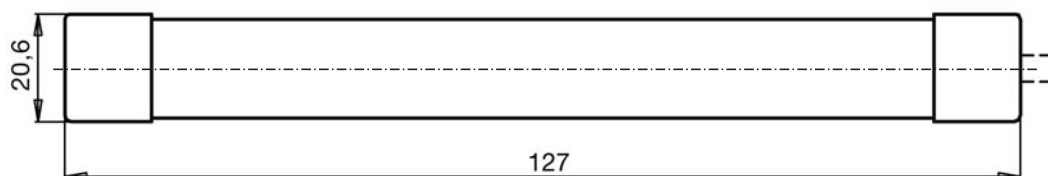
\* without indicator / striker

## Dimensions

Part No. 90 080 10. ... with indicator



Part No. 90 082 10. ... with striker





**DC-Application / Traction Fuse**

Size **SQB-DC93-2**    Rated Voltage **DC 900 V**    Breaking Test Voltage **DC 1000 V**    Class **gR**    Standard **IEC 60 077-5/UIC 550**

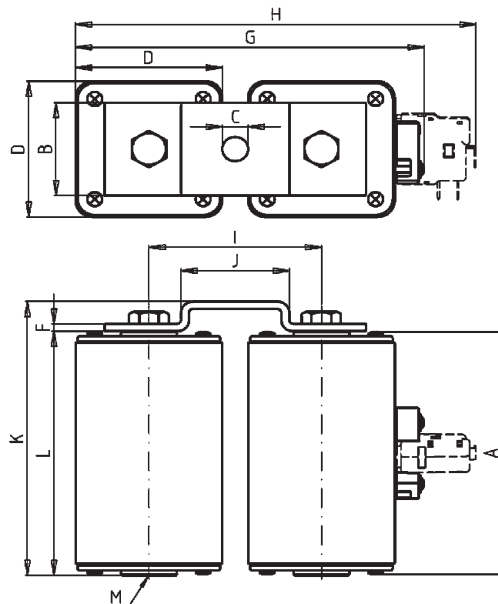
Rated Current [A]	Part No. without MS-Adapter	Part No. with MS-Adapter*	Weight [kg/1]	Pack
900	-	90 388 21.900	4.04	1
1 000	-	90 388 21.1000	4.04	1
1 100	-	90 388 21.1100	4.04	1
1 250	-	90 388 21.1250	4.04	1
1 400	-	90 388 21.1400	4.04	1

\*) suitable for B-switch fitting  
**Double Body**

**Dimensions**

**Part No. 90 388 21**

- A 5.14" (130.5 mm)**
- B 1.97" (50 mm)**
- C 0.51" (13 mm)**
- D 2.87" (73 mm)**
- F 0.16" (4 mm)**
- G 6.85" (174 mm)**
- H 7.83" (199 mm)**
- I 3.39" (86 mm)**
- J 2.13" (54 mm)**
- K 5.81" (147.5 mm)**
- L 5.18" (131.5 mm)**
- M 12**





**DC-Application / Traction Fuse**

Size **SQB-DC93**      Rated Voltage **DC 900 V**      Breaking Test Voltage **DC 1000 V**      Class **gR**      Standard **IEC 60 077-5/UIC 550**

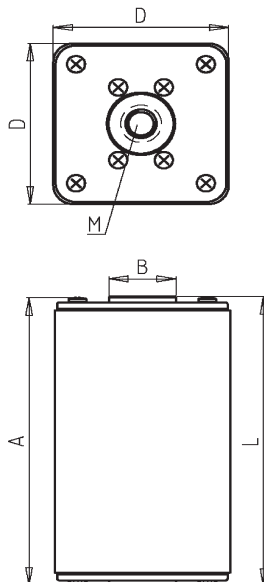
Rated Current [A]	Part No. without MS-Adapter	Part No. with MS-Adapter*	Weight [kg/1]	Pack
450	90 380 20.450	90 380 21.450	1.96	1
500	90 380 20.500	90 380 21.500	1.96	1
550	90 380 20.550	90 380 21.550	1.96	1
630	90 380 20.630	90 380 21.630	1.96	1
700	90 380 20.700	90 380 21.700	1.96	1

\*) suitable for B-switch fitting

**Dimensions**

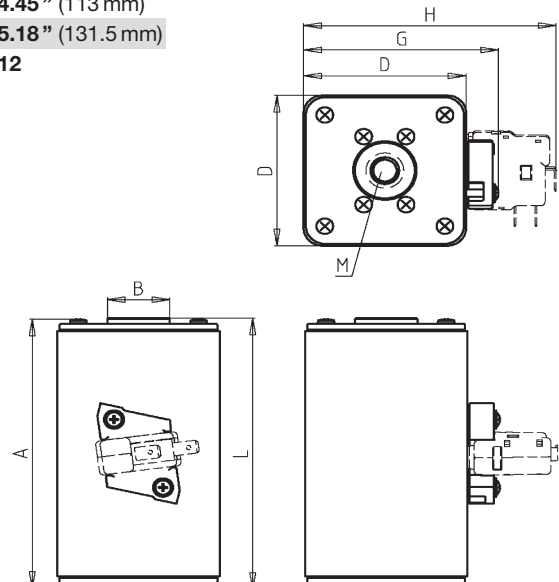
**Part No. 90 380 20**

- A** 5.14" (130.5 mm)
- B** 1.10" (28 mm)
- D** 2.87" (73 mm)
- L** 5.18" (131.5 mm)
- M** 12



**Part No. 90 380 21**

- A** 5.14" (130.5 mm)
- B** 1.10" (28 mm)
- D** 2.87" (73 mm)
- G** 3.46" (88 mm)
- H** 4.45" (113 mm)
- L** 5.18" (131.5 mm)
- M** 12





**DC-Application / Traction Fuse**

Size **SQB-DC90**      Rated Voltage **DC 900 V**      Breaking Test Voltage **DC 1000 V**      Class **gR**      Standard **IEC 60 077-5/UIC 550**

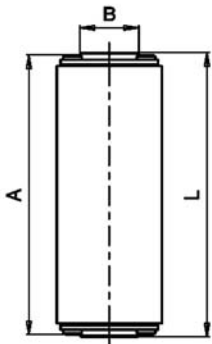
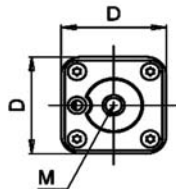
Rated Current [A]	Part No. without MS-Adapter	Part No. with MS-Adapter*	Weight [kg/1]	Pack
50	90 350 20.50	90 350 21.50	0.8	1
63	90 350 20.63	90 350 21.63	0.8	1
80	90 350 20.80	90 350 21.80	0.8	1
100	90 350 20.100	90 350 21.100	0.8	1
125	90 350 20.125	90 350 21.125	0.8	1
160	90 350 20.160	90 350 21.160	0.8	1

\*) suitable for B-switch fitting

**Dimensions**

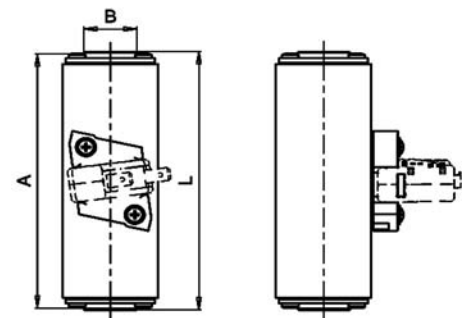
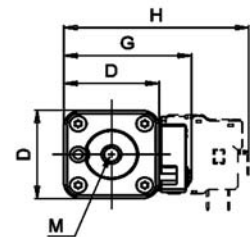
**Part No. 90 350 20**

- A** 4.88" (124 mm)
- B** 0.94" (24 mm)
- D** 1.69" (43 mm)
- L** 4.96" (126 mm)
- M** 10

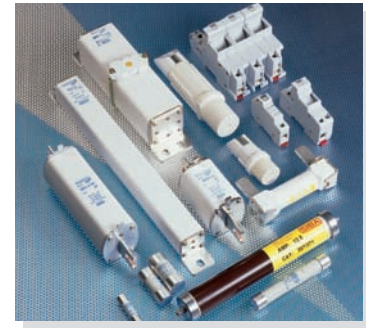


**Part No. 90 350 21**

- A** 4.88" (124 mm)
- B** 0.94" (24 mm)
- D** 1.69" (43 mm)
- G** 2.28" (58 mm)
- H** 3.27" (83 mm)
- L** 4.96" (126 mm)
- M** 10







**DC-Application / Traction Fuse**

Size **SQB-DC90**      Rated Voltage **DC 900 V**      Breaking Test Voltage **DC 1000 V**      Class **gR**      Standard **IEC 60 077-5/UIC 550**

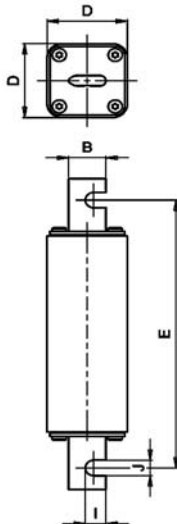
Rated Current [A]	Part No. without MS-Adapter	Part No. with MS-Adapter*	Weight [kg/1]	Pack
50	90 300 20.50	90 300 21.50	0.7	1
63	90 300 20.63	90 300 21.63	0.7	1
80	90 300 20.80	90 300 21.80	0.7	1
100	90 300 20.100	90 300 21.100	0.7	1
125	90 300 20.125	90 300 21.125	0.7	1
160	90 300 20.160	90 300 21.160	0.7	1

\*) suitable for B-switch fitting

**Dimensions**

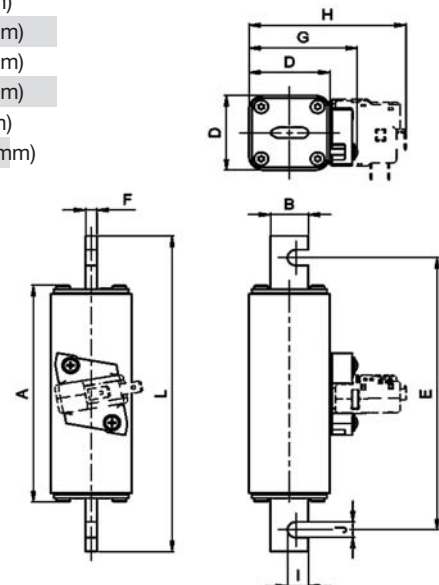
**Part No. 90 300 20**

- A** 4.88" (124 mm)
- B** 0.79" (20 mm)
- D** 1.69" (43 mm)
- E** 6.14" (156 mm)
- F** 0.24" (6 mm)
- I** 0.43" (11 mm)
- J** 0.35" (9 mm)
- L** 7.13" (181 mm)



**Part No. 90 300 21**

- A** 4.88" (124 mm)
- B** 0.79" (20 mm)
- D** 1.69" (43 mm)
- E** 6.14" (156 mm)
- F** 0.24" (6 mm)
- G** 2.28" (58 mm)
- H** 3.27" (83 mm)
- I** 0.43" (11 mm)
- J** 0.35" (9 mm)
- L** 7.13" (181 mm)





**DC-Application / Traction Fuse**

Size **22 x 58 mm**    Rated Voltage **AC 690 / 700 V**    Breaking Test Voltage **DC 440 V**    Class **gRL (gS)**    Standard **IEC 60269-4 / UL 248-13**

Rated Current [A]	Part No. without Striker	Part No. with Striker	Weight [kg/1]	Pack
25	50 140 34.25	50 142 34.25	0.055	10
30	50 140 34.30	50 142 34.30	0.055	10
32	50 140 34.32	50 142 34.32	0.055	10
35	50 140 34.35	50 142 34.35	0.055	10
40	50 140 34.40	50 142 34.40	0.055	10
50	50 140 34.50	50 142 34.50	0.055	10
63	50 140 34.63	50 142 34.63	0.055	10
80	50 140 34.80	50 142 34.80	0.055	10
100	50 140 34.100	50 142 34.100	0.055	10

**Dimensions**

**without Striker**

**A** 2.28" (58 mm)

**B** 0.87" (22 mm)

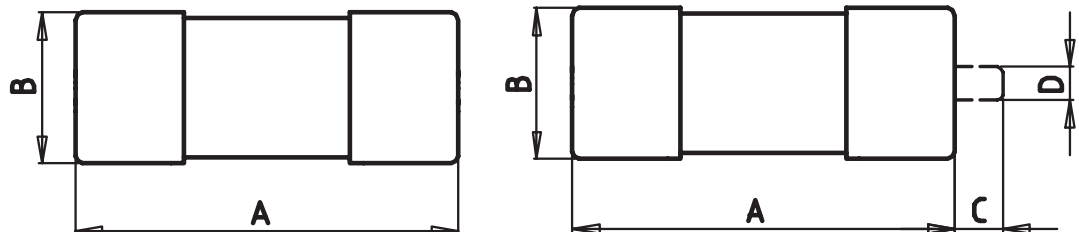
**with Striker**

**A** 2.28" (58 mm)

**B** 0.87" (22 mm)

**C<sub>min</sub>** 0.28" (7 mm)

**D** 0.20" (4.9 mm)





**DC-Application / Traction Fuse**

Size **14 x 51 mm**    Rated Voltage **AC 690 / 700 V**    Breaking Test Voltage **DC 440 V**    Class **gRL (gS)**    Standard **IEC 60269-4 / UL 248-13**

Rated Current [A]	Part No. without Striker	Part No. with Striker	Part No. Fixing Center 63,5 mm	Weight [kg/1]	Pack
10	50 124 34.10	50 126 34.10	50 129 34.10	0.03	10
12	50 124 34.12	50 126 34.12	50 129 34.12	0.03	10
16	50 124 34.16	50 126 34.16	50 129 34.16	0.03	10
20	50 124 34.20	50 126 34.20	50 129 34.20	0.03	10
25	50 124 34.25	50 126 34.25	50 129 34.25	0.03	10
30	50 124 34.30	50 126 34.30	50 129 34.30	0.03	10
32	50 124 34.32	50 126 34.32	50 129 34.32	0.03	10
35	50 124 34.35	50 126 34.35	50 129 34.35	0.03	10
40	50 124 34.40	50 126 34.40	50 129 34.40	0.03	10

**Dimensions**

**without striker**

**A** 2.00" (51 mm)  
**B** 0.55" (14 mm)

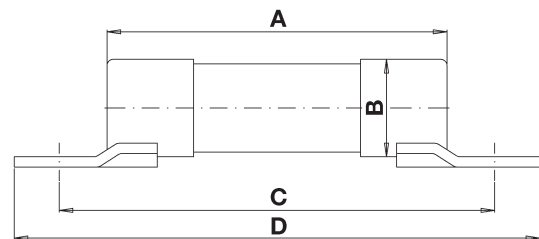
Part No. 50 124 34. ...



**with striker**

**A** 2.00" (51 mm)  
**B** 0.55" (14 mm)  
**C<sub>min</sub>** 0.28" (7 mm)  
**D** 0.20" (4.9 mm)

Part No. 50 129 34. ...



**fixing center 63,5 mm**

**A** 2.00" (51 mm)  
**B** 0.55" (14 mm)  
**C** 0.00" (63.5 mm)  
**D** 0.00" (77 mm)  
**E** 0.00" (8.7 mm)  
**F** 0.00" (5.5 mm)

Part No. 50 126 34. ...

