

# Protistor® size 120 gR

## 750VDC (IEC)

### PRODUCT RANGE

#### Size 120 gR 750VDC type EF, blade contacts with striker

Catalog number	Item number	Rated voltage DC (IEC)	Rated current I <sub>n</sub>	Pre-arcing I <sup>2</sup> t	Rated breaking capacity DC	Max. I <sup>2</sup> t @900V, L/R=40ms, IP=50I <sub>n</sub>	Max. I <sup>2</sup> t @900V, L/R=40ms, IP=10I <sub>n</sub>	Power dissipation at I <sub>n</sub>	Power dissipation at 0.8 I <sub>n</sub>	Weight
D120GC75V50EF	Y084776	750 V	50 A	0.665 kA <sup>2</sup> s	100 kA	8.5 kA <sup>2</sup> s	42.5 kA <sup>2</sup> s	8.1 W	4.4 W	0.72 kg
D120GC75V63EF	R085207	750 V	63 A	1.175 kA <sup>2</sup> s	100 kA	15 kA <sup>2</sup> s	75.5 kA <sup>2</sup> s	10.4 W	5.7 W	0.72 kg
D120GC75V80EF	Q085206	750 V	80 A	1.875 kA <sup>2</sup> s	100 kA	24.5 kA <sup>2</sup> s	125 kA <sup>2</sup> s	13.4 W	7.3 W	0.72 kg
D120GC75V100EF	P085205	750 V	100 A	3.01 kA <sup>2</sup> s	100 kA	40 kA <sup>2</sup> s	200 kA <sup>2</sup> s	16.7 W	9.1 W	0.72 kg
D120GC75V125EF	R086242	750 V	125 A	4.685 kA <sup>2</sup> s	100 kA	62.5 kA <sup>2</sup> s	315 kA <sup>2</sup> s	21 W	11.5 W	0.72 kg
D120GC75V160EF	N085204	750 V	160 A	7.49 kA <sup>2</sup> s	100 kA	100 kA <sup>2</sup> s	485 kA <sup>2</sup> s	27 W	15 W	0.72 kg



D120GC75V50TF

#### Size 120 gR 750VDC type TTF, threads terminals with striker

Catalog number	Item number	Rated voltage DC (IEC)	Rated current I <sub>n</sub>	Pre-arcing I <sup>2</sup> t	Rated breaking capacity DC	Max. I <sup>2</sup> t @900V, L/R=40ms, IP=50I <sub>n</sub>	Max. I <sup>2</sup> t @900V, L/R=40ms, IP=10I <sub>n</sub>	Power dissipation at I <sub>n</sub>	Power dissipation at 0.8 I <sub>n</sub>	Weight
D120GC75V50TF	B220824	750 V	50 A	0.665 kA <sup>2</sup> s	100 kA	8.5 kA <sup>2</sup> s	42.5 kA <sup>2</sup> s	8.1 W	4.4 W	0.65 kg
D120GC75V63TF	Q082400	750 V	63 A	1.175 kA <sup>2</sup> s	100 kA	15 kA <sup>2</sup> s	75.5 kA <sup>2</sup> s	10.4 W	5.7 W	0.65 kg
D120GC75V80TF	Z090435	750 V	80 A	1.875 kA <sup>2</sup> s	100 kA	24.5 kA <sup>2</sup> s	125 kA <sup>2</sup> s	13.4 W	7.3 W	0.65 kg
D120GC75V100TF	R082401	750 V	100 A	3.01 kA <sup>2</sup> s	100 kA	40 kA <sup>2</sup> s	200 kA <sup>2</sup> s	16.7 W	9.1 W	0.65 kg
D120GC75V125TF	P085251	750 V	125 A	4.685 kA <sup>2</sup> s	100 kA	62.5 kA <sup>2</sup> s	315 kA <sup>2</sup> s	21 W	11.5 W	0.65 kg
D120GC75V160TF	R085253	750 V	160 A	7.49 kA <sup>2</sup> s	100 kA	100 kA <sup>2</sup> s	485 kA <sup>2</sup> s	27 W	15 W	0.65 kg

# Protistor® size 121 gR

## 750VDC (IEC)

### PRODUCT RANGE



D121GC75V250EF

#### Size 121 gR 750VDC type EF, blade contacts with striker

Catalog number	Item number	Rated voltage DC (IEC)	Rated current I <sub>n</sub>	Pre-arcing I <sup>2</sup> t	Rated breaking capacity DC	Max. I <sup>2</sup> t @900V, L/R=40ms, IP=50I <sub>n</sub>	Max. I <sup>2</sup> t @900V, L/R=40ms, IP=10I <sub>n</sub>	Power dissipation at I <sub>n</sub>	Power dissipation at 0.8 I <sub>n</sub>	Weight
D121GC75V200EF	A086710	750 V	200 A	11.85 kA <sup>2</sup> s	100 kA	150 kA <sup>2</sup> s	755 kA <sup>2</sup> s	37.5 W	20.5 W	1.02 kg
D121GC75V250EF	M085203	750 V	250 A	18.05 kA <sup>2</sup> s	100 kA	250 kA <sup>2</sup> s	1250 kA <sup>2</sup> s	46.7 W	25.5 W	1.02 kg



D121GC75V200TF

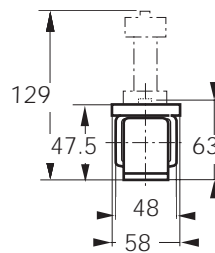
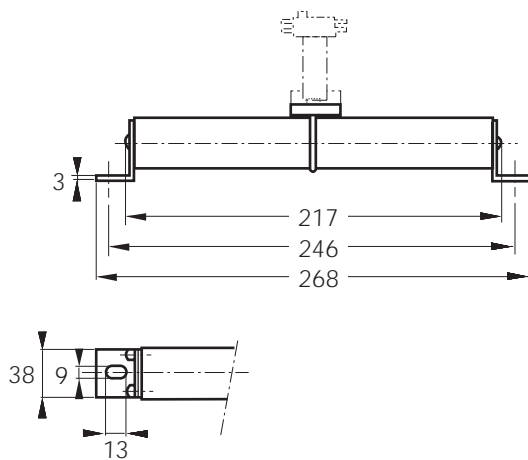
#### Size 121 gR 750VDC type TTF, threads terminals with striker

Catalog number	Item number	Rated voltage DC (IEC)	Rated current I <sub>n</sub>	Pre-arcing I <sup>2</sup> t	Rated breaking capacity DC	Max. I <sup>2</sup> t @900V, L/R=40ms, IP=50I <sub>n</sub>	Max. I <sup>2</sup> t @900V, L/R=40ms, IP=10I <sub>n</sub>	Power dissipation at I <sub>n</sub>	Power dissipation at 0.8 I <sub>n</sub>	Weight
D121GC75V200TF	N085250	750 V	200 A	11.85 kA <sup>2</sup> s	100 kA	150 kA <sup>2</sup> s	755 kA <sup>2</sup> s	37.5 W	20.5 W	0.88 kg
D121GC75V250TF	Q085252	750 V	250 A	18.05 kA <sup>2</sup> s	100 kA	250 kA <sup>2</sup> s	1250 kA <sup>2</sup> s	46.7 W	25.5 W	0.88 kg

## DC Square-body Fuses Sizes 300 - 302 - 2x302 SR Brackets size 300 - 2400V DC

SRE from 20 to 180 A

### Dimensions



Weight: 1150 g

### Main Characteristics

Size	Current rating $I_N$ (A)	Breaking Capacity	Watts loss		Max. $I^2t$ @ 2000 V		Designation	Ref. Number	Catalog Number
			$0.8 I_N$ (W)	$I_N$ (W)	L/R = 15 ms (A <sup>2</sup> S)	L/R = 45 ms (A <sup>2</sup> S)			
300	20	@ 2400 V DC 100 kA L/R = 15 ms	18	36	150	260	CC 24 SRE 300 QF 0020	X075299	D300SE24C20QF
	25		21	42	260	460	CC 24 SRE 300 QF 0025	W075298	D300SE24C25QF
	32		22	43	310	540	CC 24 SRE 300 QF 0032	G079471	D300SE24C32QF
	40		26	51	530	920	CC 24 SRE 300 QF 0040	H079472	D300SE24C40QF
	50		32	62	750	1300	CC 24 SRE 300 QF 0050	J079473	D300SE24C50QF
	63		35	69	1650	2900	CC 24 SRE 300 QF 0063	K079474	D300SE24C63QF
	80	38	75	3700	6500	CC 24 SRE 300 QF 0080	L079475	D300SE24C80QF	
	100	@ 2000 V DC 100 kA L/R = 45 ms	41	80	8000	14000	CC 24 SRE 300 QF 0100	M079476	D300SE24C100QF
	125		49	95	14000	25000	CC 24 SRE 300 QF 0125	N079477	D300SE24C125QF
	160		50	96	34000	60000	CC 24 SRE 300 QF 0160	P079478	D300SE24C160QF
	180		51	98	57000	100000	CC 24 SRE 300 QF 0180	Q079479	D300SE24C180QF

Pack: 1 piece

Microswitch MC 2R 3E 1-5N BS Ref. Number: J310025

FERRAZ SHAWMUT  
IS NOW

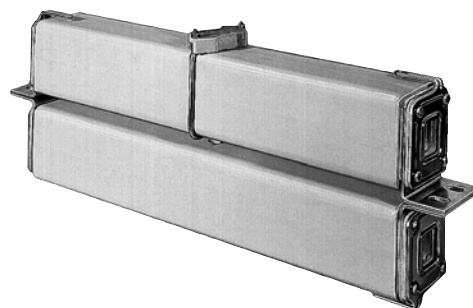
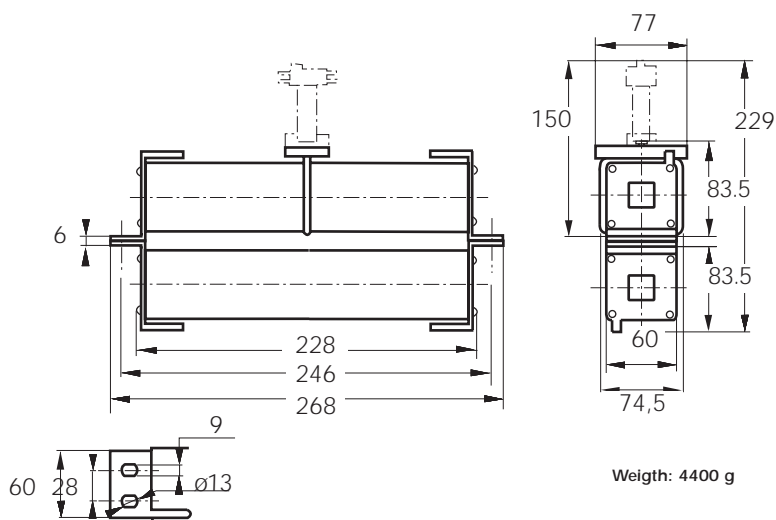
MERSEN

# Protistor DC fuses

## DC Square-body Fuses Sizes 300 - 302 - 2x302 gR Blades size 2x302 - 2000V DC

gRC-gRE from 200 to 560 A

### Dimensions



### Main Characteristics

Size	Current rating $I_N$ (A)	Breaking Capacity	Watts loss		Designation	Ref. Number	Catalog Number
			0.8 $I_N$ (W)	$I_N$ (W)			
2x302	200	@ 2000 V DC 30 kA	60	117	CC 20 gRC 2302 QF 200	B079903	D2302GC20C200QF
	250	L/R = 30 ms	74	144	CC 20 gRC 2302 QF 250	C079904	D2302GC20C250QF
	315	@ 2000 V DC 30 kA	84	140	CC 20 gRE 2302 QF 315	X075759	D2302GE20C315QF
	400	L/R = 14 ms	96	160	CC 20 gRE 2302 QF 400	Y075760	D2302GE20C400QF
	500		115	190	CC 20 gRE 2302 QF 500	Z075761	D2302GE20C500QF
	560	@ 1800 V DC 100 kA L/R = 20 ms	120	200	CC 20 gRE 2302 QF 560	A075762	D2302GE20C560QF

Pack: 1 piece

Microswitch MC 2R 3E 1-5N BS Reference number: J310025