

# High Voltage Fuses

Motor Circuit Protection

DIN and  
British Standard



SIBA Motor Rated Fuses are available in

- German DIN Standard and
- British Standard Design

The large variety in body sizes / mounting style / voltage and amp rating allow great flexibility for the designer of switchboard panels.

Standards:

- Dimensions: DIN 43625 and BS 2692
- Electrical: IEC 60644  
IEC 60470  
IEC 60282-1

Class: Current Limiting / Back up

Voltage Ratings: AC 3.6 - 12 kV

Current Ratings: 50 - 450 A

## Features / Benefits

- ▷ Protection of Motor circuits according to IEC 60644
- ▷ High reliability against cyclic and peak current loads / age resistant due to high motor start up currents
- ▷ Low power losses / minimizing temperature increase in narrow contactor enclosures
- ▷ Low minimum interrupting currents for operation of overcurrents in the range 3 - 3.5 x rated current
- ▷ Availability of SIBA-Temperature limiters for switchgear protection against excessive temperature rise in DIN housing up to 160 A
- ▷ Type tested according to IEC 60470 in cooperation with major European panel builders
- ▷ Available in DIN 43625 and BS 2692 dimensions



## High Voltage Fuses Motor Circuit Protection

DIN and  
BS Standard

### Selection Guide

Size	Rated Voltage AC [kV]	Class	Part No.	Selector Guide [Page]	Techn. Data [Page]
TA2	3.6	Back-up	30 269 56. ...	HHM 3	HHM 12
TA2	3.6	Back-up	30 270 56. ...	HHM 4	HHM 12
TA4	7.2	Back-up	30 271 56. ...	HHM 5	HHM 12
TA4	7.2	Back-up	30 272 56. ...	HHM 6	HHM 12
E= 292 mm	3.6	Back-up	30 201 53. ...	HHM 7	HHM 13
E= 292 mm	3.6	Back-up	30 202 53. ...	HHM 7	HHM 13
E= 292 mm	3.6	Back-up	30 200 54. ...	HHM 7	HHM 13
E= 292 mm	3.6	Back-up	30 203 54. ...	HHM 7	HHM 13
E= 442 mm	7.2	Back-up	30 108 53. ...	HHM 7	HHM 13
E= 442 mm	7.2	Back-up	30 109 53. ...	HHM 7	HHM 13
E= 442 mm	7.2	Back-up	30 110 54. ...	HHM 7	HHM 13
E= 442 mm	7.2	Back-up	30 111 54. ...	HHM 7	HHM 13
E= 442 mm	12	Back-up	30 101 53. ...	HHM 8	HHM 14
E= 442 mm	12	Back-up	30 102 53. ...	HHM 8	HHM 14
E= 442 mm	12	Back-up	30 103 53. ...	HHM 8	HHM 14
E= 442 mm	12	Back-up	30 103 54. ...	HHM 8	HHM 14
E= 442 mm	2.4-7.2	Back-up	30 108 55. ...	HHM 9	HHM 15
E= 442 mm	2.4-7.2	Back-up	30 109 55. ...	HHM 9	HHM 15
E= 442 mm	2.4-7.2	Back-up	30 110 55. ...	HHM 9	HHM 15
L= 254 mm	3.6	Back-up	30 456 55. ...	HHM 10	HHM 16
L= 254 mm	3.6	Back-up	30 457 55. ...	HHM 10	HHM 16
L= 254 mm	3.6	Back-up	30 458 55. ...	HHM 10	HHM 16
L= 403 mm	7.2	Back-up	30 459 55. ...	HHM 11	HHM 17
L= 403 mm	7.2	Back-up	30 460 55. ...	HHM 11	HHM 17
L= 403 mm	7.2	Back-up	30 461 55. ...	HHM 11	HHM 17

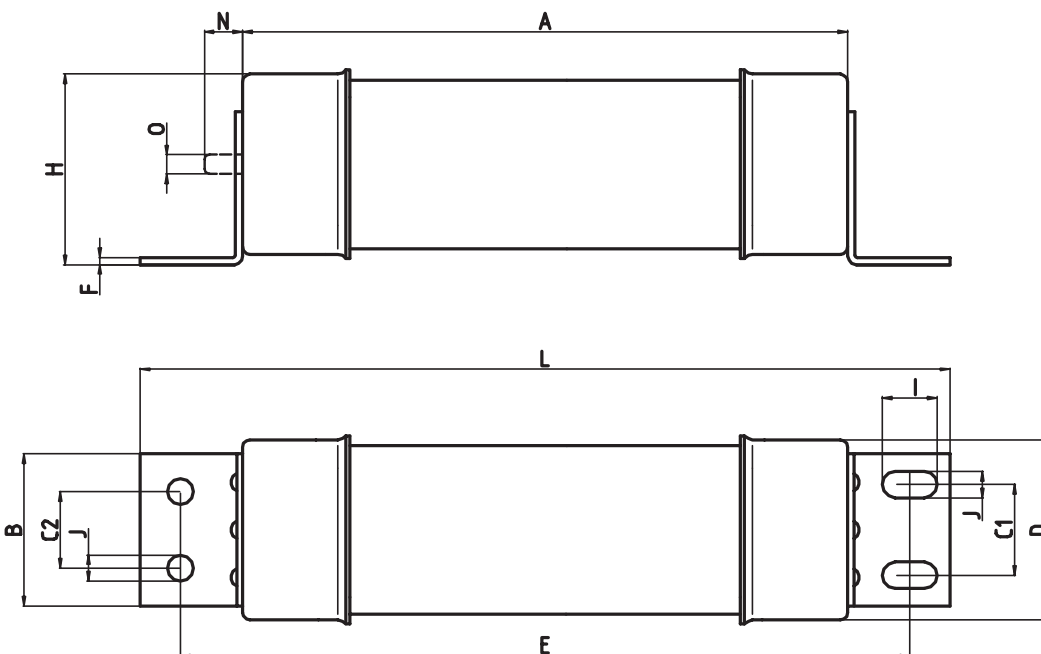


**High Voltage Fuses**  
Motor Circuit Protection

DIN and  
BS Standard

Size **TA 2**      Rated Voltage **AC 3.6 kV**      Standard **BS 2692-1 · IEC 60282-1 · IEC 60644**

Rated Current [A]	Part No.	Rated Breaking Current [kA]	Weight [kg/1]	Pack	Technical Data [Page]
50	30 269 56.50	50	3.9	1	HHM 12
63	30 269 56.63	50	3.9	1	HHM 12
80	30 269 56.80	50	3.9	1	HHM 12
100	30 269 56.100	50	3.9	1	HHM 12
125	30 269 56.125	50	3.9	1	HHM 12
160	30 269 56.160	50	3.9	1	HHM 12
200	30 269 56.200	50	3.9	1	HHM 12
224	30 269 56.224	50	3.9	1	HHM 12
250	30 269 56.250	50	3.9	1	HHM 12
315	30 269 56.315	50	3.9	1	HHM 12



A	10.00" (254 mm)
B	2.56" (65 mm)
C1	1.50" (38 mm)
C2	1.26" (32 mm)
D	3.00" (76 mm)
E	12.00" (305 mm)
F	0.12" (3 mm)
H	3.10" (79 mm)
I	0.90" (23 mm)
J	0.43" (11 mm)
L	13.27" (337 mm)
N	0.50" (13 mm)
O	0.30" (8 mm)



## High Voltage Fuses Motor Circuit Protection

DIN and  
BS Standard

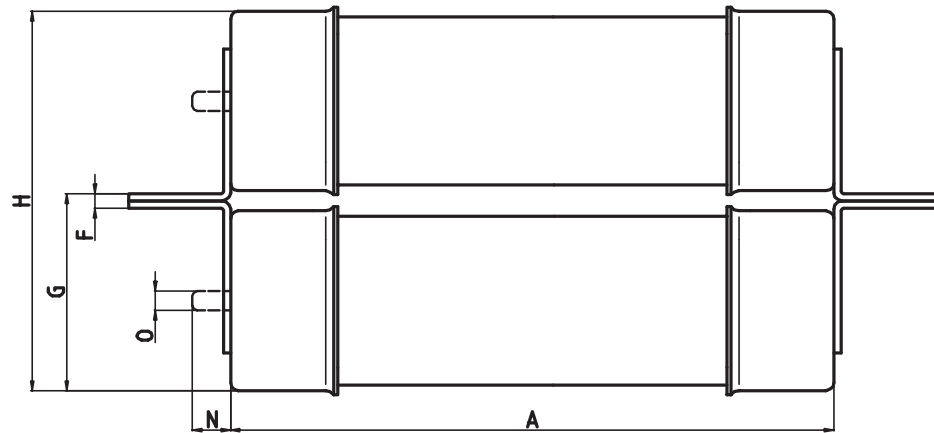
Size  
**TA 2**

Rated Voltage  
**AC 3.6 kV**

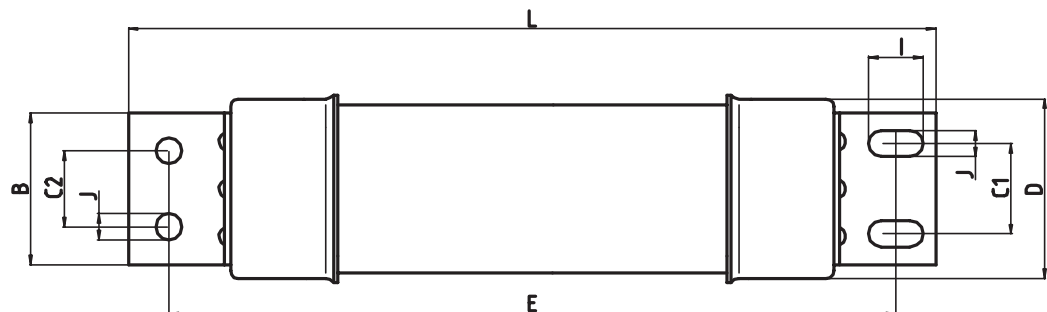
Standard  
**BS 2692-1 · IEC 60282-1 · IEC 60644**

Rated Current [A]	Part No.	Rated Breaking Current [kA]	Weight [kg/1]	Pack	Technical Data [Page]
355 *	30 270 56.355	50	7.8	2	HHM 12
400 *	30 270 56.400	50	7.8	2	HHM 12
450 *	30 270 56.450	50	7.8	2	HHM 12

\* 2 single fuses



A	15.87" (403 mm)
B	2.56" (65 mm)
C1	1.50" (38 mm)
C2	1.26" (32 mm)
D	3.00" (76 mm)
E	17.87" (454 mm)
F	0.24" (6 mm)
G	3.22" (82 mm)
H	6.20" (158 mm)
I	0.90" (23 mm)
J	0.43" (11 mm)
L	19.13" (486 mm)
N	0.50" (13 mm)
O	0.30" (8 mm)



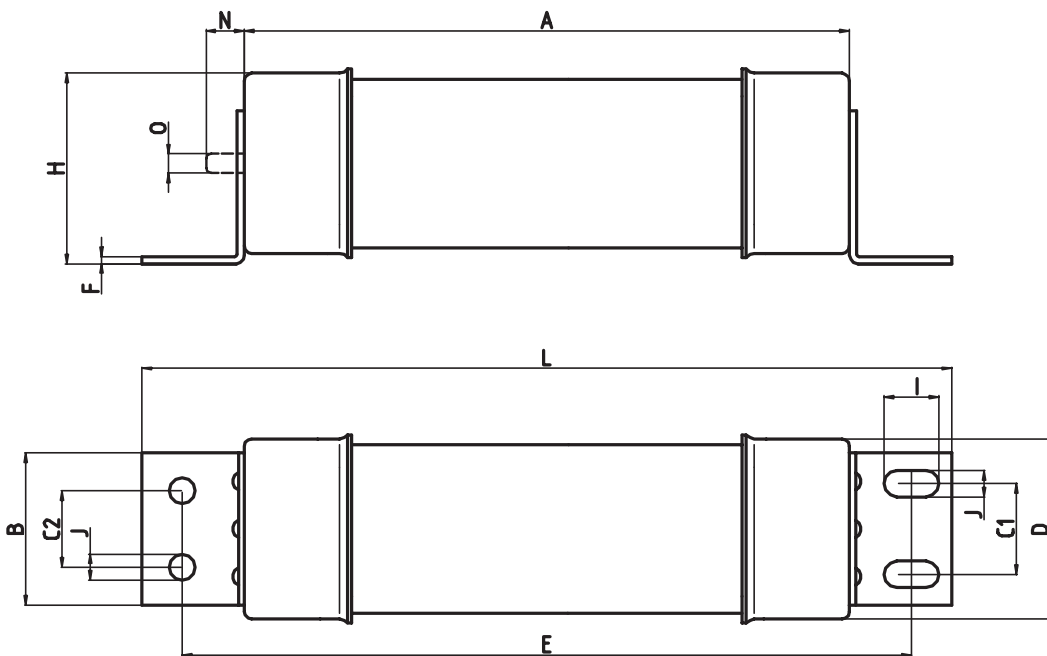


**High Voltage Fuses**  
Motor Circuit Protection

**DIN and BS Standard**

Size **TA 4**      Rated Voltage **AC 7.2 kV**      Standard **BS 2692-1 · IEC 60282-1 · IEC 60644**

Rated Current [A]	Part No.	Rated Breaking Current [kA]	Weight [kg/1]	Pack	Technical Data [Page]
50	30 271 56.50	50	4.2	1	HHM 12
63	30 271 56.63	50	4.2	1	HHM 12
80	30 271 56.80	50	4.2	1	HHM 12
100	30 271 56.100	50	4.2	1	HHM 12
125	30 271 56.125	50	4.2	1	HHM 12
160	30 271 56.160	50	4.2	1	HHM 12
200	30 271 56.200	50	4.2	1	HHM 12
224	30 271 56.224	50	4.2	1	HHM 12
250	30 271 56.250	50	4.2	1	HHM 12



A	15.87" (403 mm)
B	2.56" (65 mm)
C1	1.50" (38 mm)
C2	1.26" (32 mm)
D	3.00" (76 mm)
E	17.87" (454 mm)
F	0.12" (3 mm)
H	3.10" (79 mm)
I	0.90" (23 mm)
J	0.43" (11 mm)
L	19.13" (486 mm)
N	0.50" (13 mm)
O	0.30" (8 mm)



## High Voltage Fuses Motor Circuit Protection

DIN and  
BS Standard

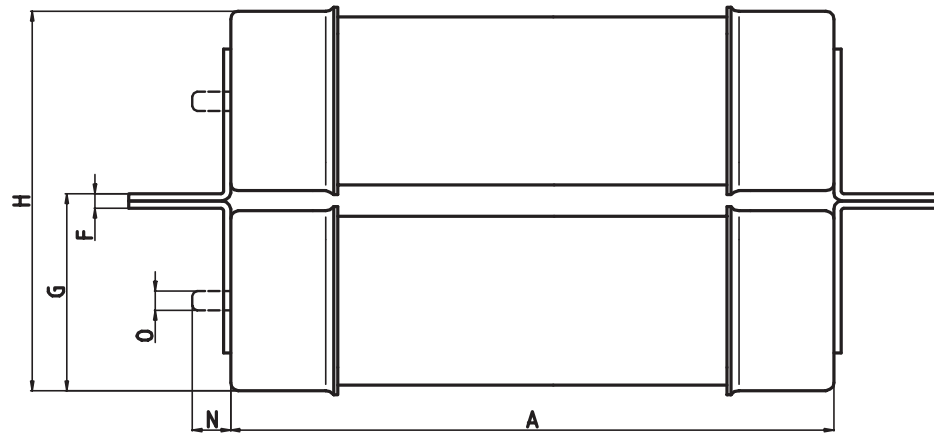
Size  
**TA 4**

Rated Voltage  
**AC 7.2 kV**

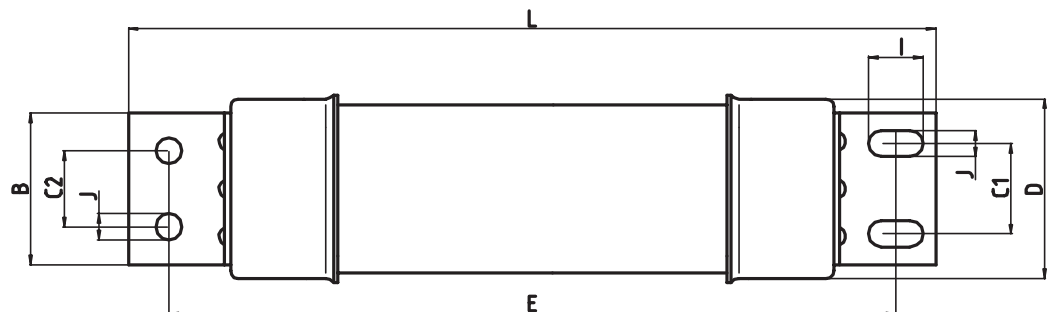
Standard  
**BS 2692-1 · IEC 60282-1 · IEC 60644**

Rated Current [A]	Part No.	Rated Breaking Current [kA]	Weight [kg/1]	Pack	Technical Data [Page]
315*	30 272 56.315	50	8.4	2	HHM 12
355*	30 272 56.355	50	8.4	2	HHM 12
400*	30 272 56.400	50	8.4	2	HHM 12
450*	30 272 56.450	50	8.4	2	HHM 12

\* 2 single fuses



A	15.87" (403 mm)
B	2.56" (65 mm)
C1	1.50" (38 mm)
C2	1.26" (32 mm)
D	3.00" (76 mm)
E	17.87" (454 mm)
F	0.24" (6 mm)
G	3.22" (82 mm)
H	6.20" (158 mm)
I	0.90" (23 mm)
J	0.43" (11 mm)
L	19.13" (486 mm)
N	0.50" (13 mm)
O	0.30" (8 mm)





**High Voltage Fuses**  
Motor Circuit Protection

**DIN and BS Standard**

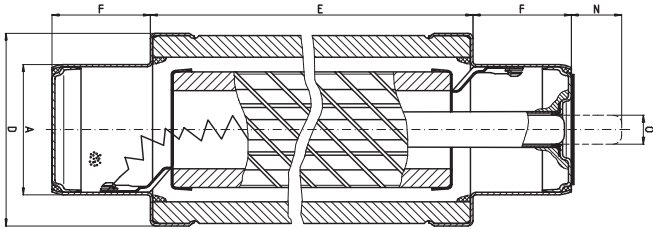
DIN **E= 292 mm**      Rated Voltage **AC 3.6 kV**      Standard **IEC 60282-1 · IEC 60644**

Rated Current [A]	Part No.	D= Diameter		Rated Breaking Current [kA]	Weight [kg/1]	Pack	Technical Data [Page]
		[inch]	[mm]				
50	30 201 53.50	2.07	53	50	1.6	1	HHM 13
63	30 201 53.63	2.07	53	50	1.6	1	HHM 13
80	30 201 53.80	2.07	53	50	1.6	1	HHM 13
100	30 201 53.100	2.07	53	50	1.6	1	HHM 13
125	30 202 53.125	2.64	67	50	2.0	1	HHM 13
160	30 202 53.160	2.64	67	50	2.0	1	HHM 13
200	30 200 54.200	3.35	85	50	3.8	1	HHM 13
224	30 200 54.224	3.35	85	50	3.8	1	HHM 13
250	30 200 54.250	3.35	85	50	3.8	1	HHM 13
315	30 200 54.315	3.35	85	50	3.8	1	HHM 13
355*	30 203 54.355	3.35	85	50	7.6	2	HHM 13
400*	30 203 54.400	3.35	85	50	7.6	2	HHM 13
450*	30 203 54.450	3.35	85	50	7.6	2	HHM 13

DIN **E= 442 mm**      Rated Voltage **AC 7.2 kV**      Standard **IEC 60282-1 · IEC 60644**

Rated Current [A]	Part No.	D= Diameter		Rated Breaking Current [kA]	Weight [kg/1]	Pack	Technical Data [Page]
		[inch]	[mm]				
50	30 108 53.50	2.07	53	50	2.2	1	HHM 13
63	30 108 53.63	2.07	53	50	2.2	1	HHM 13
80	30 108 53.80	2.07	53	50	2.2	1	HHM 13
100	30 108 53.100	2.07	53	50	2.2	1	HHM 13
125	30 109 53.125	2.64	67	50	2.9	1	HHM 13
160	30 109 53.160	2.64	67	50	2.9	1	HHM 13
200	30 110 54.200	3.35	85	50	5.4	1	HHM 13
224	30 110 54.224	3.35	85	50	5.4	1	HHM 13
250	30 110 54.250	3.35	85	50	5.4	1	HHM 13
315	30 110 54.315	3.35	85	50	5.4	1	HHM 13
355*	30 111 54.355	3.35	85	50	10.8	2	HHM 13
400*	30 111 54.400	3.35	85	50	10.8	2	HHM 13
450*	30 111 54.450	3.35	85	50	10.8	2	HHM 13

\* 2 single fuses



- A** 1.77" (45 mm)
- F** 1.30" (33 mm)
- O** 0.40" (10 mm)
- N** 1.38" (36 mm)



## High Voltage Fuses Motor Circuit Protection

DIN and  
BS Standard

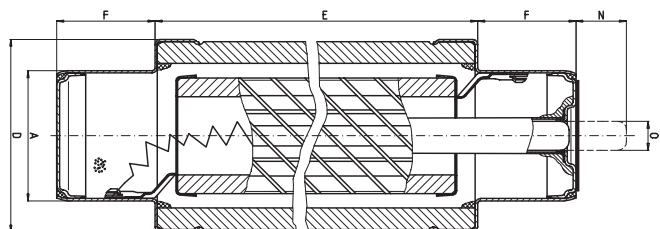
DIN  
**E= 442 mm**

Rated Voltage  
**AC 12 kV**

Standard  
**IEC 60282-1 · IEC 60644**

Rated Current [A]	Part No.	D= Diameter		Rated Breaking Current [kA]	Weight [kg/1]	Pack	Technical Data [Page]
		[inch]	[mm]				
50	30 101 53.50	2.07	53	50	1.6	1	HHM 14
63	30 101 53.63	2.07	53	50	1.6	1	HHM 14
80	30 102 53.80	2.07	67	50	2.0	1	HHM 14
100	30 102 53.100	2.07	67	50	2.0	1	HHM 14
125	30 102 53.125	2.64	67	50	2.0	1	HHM 14
160	30 103 53.160	2.64	85	50	3.8	1	HHM 14
200	30 103 54.200	2.64	85	50	3.8	1	HHM 14

- A** 1.77" (45 mm)
- F** 1.30" (33 mm)
- O** 0.40" (10 mm)
- N** 1.38" (36 mm)







**High Voltage Fuses**  
Motor Circuit Protection

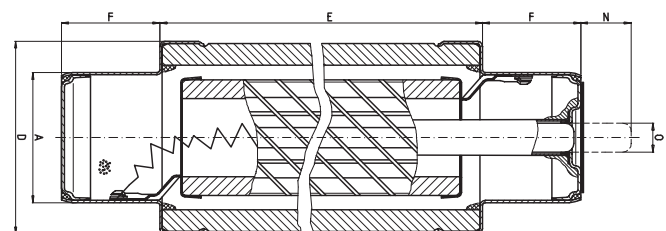
DIN and BS Standard

DIN **E= 442 mm**      Rated Voltage **AC 2.4 – 7.2 kV**      Standard **IEC 60282-1 · IEC 60644**

Rated Current [A]	Part No.	D= Diameter		Rated Breaking Current [kA]	Weight [kg/1]	Pack	Technical Data [Page]
		[inch]	[mm]				
70	30 108 55.2R	2.1	53	50	1.6	1	HHM 15
100	30 108 55.3R	2.1	53	50	1.6	1	HHM 15
130	30 109 55.4R	2.6	67	50	2.0	1	HHM 15
150	30 109 55.5R	2.6	67	50	2.0	1	HHM 15
170	30 109 55.6R	2.6	67	50	2.0	1	HHM 15
200	30 110 55.9R	3.4	85	50	3.8	1	HHM 15
230	30 110 55.12R	3.4	85	50	3.8	1	HHM 15
390*	30 110 55.18R	3.4	85	50	3.8	2	HHM 15
450*	30 110 55.24R	3.4	85	50	3.8	2	HHM 15
650**	30 110 55.36R	3.4	85	50	3.8	3	HHM 15
700**1)	30 110 55.48R	3.4	85	50	3.8	3	HHM 15

\* 2 single fuses  
 \*\* 3 single fuses  
 1) Rated voltage 2,4 - 4,8 kV

- A 1.77" (45 mm)
- F 1.30" (33 mm)
- O 0.40" (10 mm)
- N 1.38" (35 mm)





## High Voltage Fuses Motor Circuit Protection

DIN and  
BS Standard

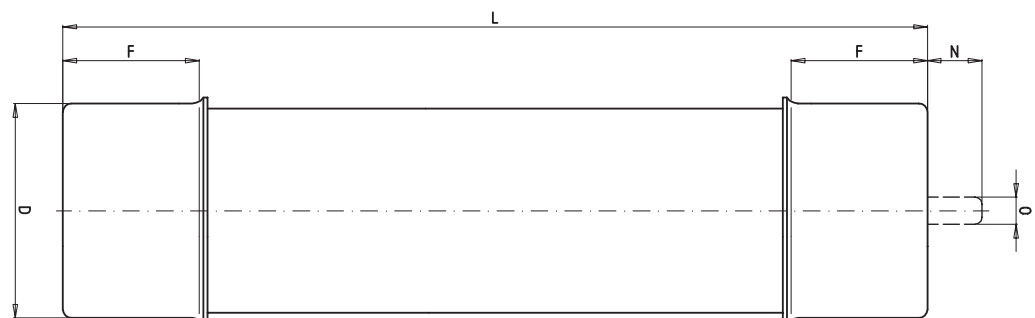
Size  
**L= 254 mm**

Rated Voltage  
**AC 3.6 kV**

Rated Current [A]	Part No.	D= Diameter		Rated Breaking Current [kA]	Weight [kg/1]	Pack	Technical Data [Page]
		[inch]	[mm]				
70	30 456 55.2R	3.0	76	50	2.0	1	HHM 16
100	30 456 55.3R	3.0	76	50	2.0	1	HHM 16
130	30 456 55.4R	3.0	76	50	2.0	1	HHM 16
150	30 456 55.5R	3.0	76	50	2.0	1	HHM 16
170	30 456 55.6R	3.0	76	50	2.0	1	HHM 16
200	30 456 55.9R	3.0	76	50	2.0	1	HHM 16
230	30 456 55.12R	3.0	76	50	2.0	1	HHM 16
390*	30 457 55.18R	3.0	76	50	2.0	2	HHM 16
450*	30 457 55.24R	3.0	76	50	2.0	2	HHM 16
650**	30 458 55.36R	3.0	76	50	2.0	3	HHM 16
700**	30 458 55.48R	3.0	76	50	2.0	3	HHM 16

\* 2 single fuses

\*\* 3 single fuses



<b>F</b>	<b>1.57"</b> (40 mm)
<b>N</b>	<b>0.50"</b> (13 mm)
<b>O</b>	<b>0.30"</b> (8 mm)



**High Voltage Fuses**  
Motor Circuit Protection

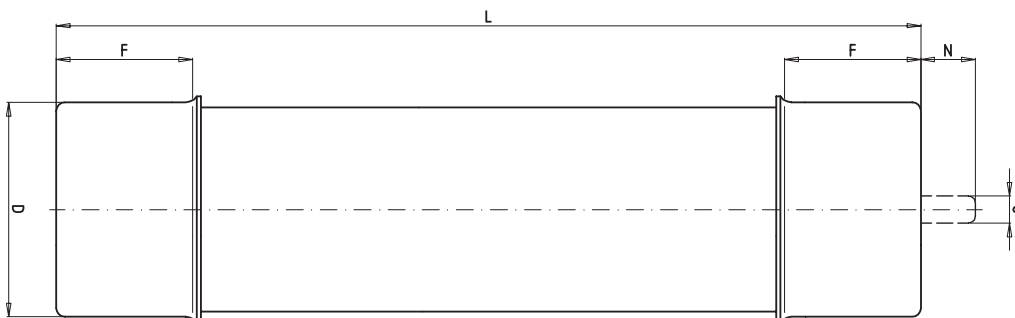
DIN and  
BS Standard

Size **L= 403 mm**      Rated Voltage **AC 7.2 kV**

Rated Current [A]	Part No.	D= Diameter		Rated Breaking Current [kA]	Weight [kg/1]	Pack	Technical Data [Page]
		[inch]	[mm]				
70	30 459 55.2R	3.0	76	50	3.1	1	HHM 17
100	30 459 55.3R	3.0	76	50	3.1	1	HHM 17
130	30 459 55.4R	3.0	76	50	3.1	1	HHM 17
150	30 459 55.5R	3.0	76	50	3.1	1	HHM 17
170	30 459 55.6R	3.0	76	50	3.1	1	HHM 17
200	30 459 55.9R	3.0	76	50	3.1	1	HHM 17
230	30 459 55.12R	3.0	76	50	3.1	1	HHM 17
390*	30 460 55.18R	3.0	76	50	3.1	2	HHM 17
450*	30 460 55.24R	3.0	76	50	3.1	2	HHM 17
650**	30 461 55.36R	3.0	76	50	3.1	3	HHM 17
700**	30 461 55.48R	3.0	76	50	3.1	3	HHM 17

\* 2 single fuses

\*\* 3 single fuses



<b>F</b>	<b>1.57" (40 mm)</b>
<b>N</b>	<b>0.50" (13 mm)</b>
<b>O</b>	<b>0.30" (8 mm)</b>